

HDCP MANAGER

HDCP compatible HDMI/DVI EDID Emulator and cable extender

Lightware HDCP MANAGER is a HDMI or DVI EDID emulator, that stores 100 EDID's and emulates the selected EDID to the attached PC computer, DVD Player or set top box. Additionally extends HDMI cable length to max 50 meter. HDCP MANAGER can trick the HDMI or DVI source (PC computer, Laptop, etc.) emulating any DVI or HDMI display (LCD monitor, projector) for continuous video output, even if the attached display is disconnected, or powered down. Emulating EDID, the user can set up any DVI output resolution audio capability, regardless of the used projector or monitor, this way the overall system's resolution can be controlled. The EDID memories 01 to 49 are factory preset, the memories 50 to 99 are user programmable. Memory 00 is transparent, that means, the attached display device's EDID (monitor or projector) will be reported to the source computer. In this mode the unit works as a simple repeater or cable extender.

Applications

- Home cinema cable extension
- HD resolution and refresh rate emulation
- Audio channel emulation
- Rental staging
- Postproduction studios
- 3D Applications

Features

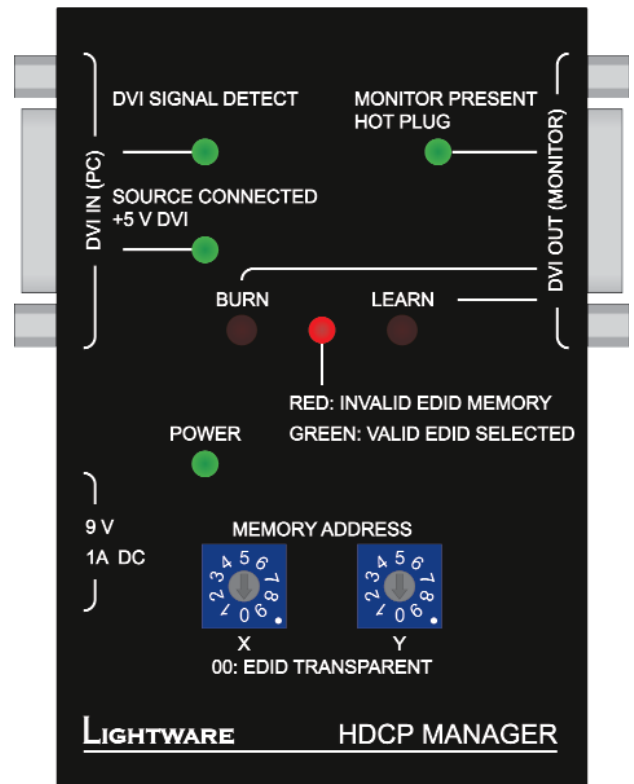
- 100 EDID memories 50 of them user programmable
- 50 meter long DVI cable compensation
- CEA standard HDTV resolutions
- Keeps source's HDMI or DVI output continuously active
- Signal detection LED
- Source detection LED
- Monitor detection LED
- Robust metal housing for rental-staging applications

Connectors

Input:	24 pole DVI-D connector
Output:	24 pole DVI-D connector
Power:	2 mm DC connector

Available:

EDID MANAGER: DVI EDID emulator
HDCP MANAGER: HDMI / DVI EDID emulator



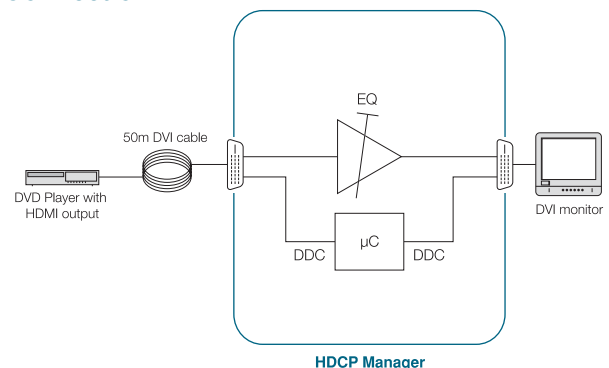
Specifications

Video	
Bandwidth:	1.65 Gbps
Resolution:	any DVI single link
Cable Equalization (adjusted automatically):	+40 dB max

Other

Power:	9 V DC 5 Watts
Enclosure:	2 mm AL
Dimensions:	103x70x27 mm

Connection



DVI Doctor

Dual Link DVI signal processor



Lightware DVI Doctor is a multifunctional DVI signal conditioner and processor. It equalizes 60 meter DVI cable, reclocks the signal, boosts the output signal level and emulates EDID. The unit was designed for professional usage, like rental and staging, fix installations, etc. For best reliability it is housed in rugged metal enclosure with built in universal power supply, EDID Management, and intuitive LCD display for menu navigation.

DVI Doctor can trick the HDMI or DVI source (PC computer, Laptop, etc.) emulating any DVI or HDMI display (LCD monitor, projector) for continuous video output, even if the attached display is disconnected, or powered down. With EDID emulation, the user can set up any output resolution and audio capability, regardless of the used projector or monitor, this way the overall system's resolution can be controlled. The EDID memories from 01 to 49 are factory pre-sets, the memories from 50 to 99 are user programmable. Memory 00 is transparent, that means the attached display device's EDID (monitor or projector) will be repeated to the source computer. In this mode the unit works as a simple repeater or cable extender.

Output signal is reclocked to remove jitter caused by long cables or poor quality DVI sources

Applications

- Rental staging
- Dual link or Single link DVI cable extension
- Custom resolution and refresh rate EDID emulation
- Audio channel emulation
- Postproduction studios
- 3D Applications

Features

- 60 meter long DVI cable compensation at input
- 100 EDID emulation including CEA standard HDTV resolutions
- HDCP signal pass through
- Output level adjustment
- Output preemphasis adjustment
- Robust metal housing for rental-staging applications
- Signal detection, Source detection and Monitor detection LED
- Keeps source's HDMI or DVI output continuously active

Connectors

Input:	24 pole DVI-D connector
Output:	24 pole DVI-D connector
RS232:	9 pole Dsub
Power:	IEC

Specifications

Bandwidth per TMDS channel:	1.65Gbps
Resolution:	3840x2400 or 4096x1080max
Input cable equalization (automatic or adjustable):	+40dB max
Output level (1000mV standard):	1000 - 1187mV
Output preemphasis (0mV standard):	0 - 187.5mV
HDCP pass through:	Yes
PLL reclocker bandwidth (adjustable):	0.5 - 4 MHz
Power:	100/240V AC 50/60Hz 0.7A
Enclosure:	1mm metal
Dimensions:	221W x 180D x 43Hmm
Warranty:	3 years



Distributor / Vertrieb:

VIDELCO – Professionelle Audio- Video- Medien-Technik!
Tel.: +49 (0)2102 / 86 39-00 • Fax: +49 (0)2102 / 86 39-17 • info@videlco.eu • www.videlco.eu