



4FO+2EL Hybrid Expanded Beam System

HYBRID EXPANDED BEAM SYSTEM

- 4x Singlemode Fibre Optic Channels
- 2x Size 16 MIL-C-39029 Power Contacts
- Field Terminable Plug and Bulkhead Connectors
- Fully Sealed Ruggedised Hermaphroditic Construction
- Compatible with hybrid cables up to 7.5mm diameter.

PMD hybrid expanded beam fibre optic connectors have been designed for use in the most demanding harsh environments including military tactical communications systems, television outside broadcast, mobile CCTV and many other industrial applications.

PMD hybrid expanded beam fibre optic connectors have been designed for use in the most demanding harsh environments including military tactical communications systems, television outside broadcast, mobile CCTV and many other industrial applications.

The connectors utilise advanced expanded beam technology to ensure reliable optical performance in the most extreme environmental conditions, and feature fully sealed shells, hermaphroditic coupling, and rubber covered grip rings. The connectors are easily cleaned and require no maintenance.

PMD hybrid connectors are field terminable using standard termination tools and polishing equipment. Electrical connections are made via standard gold plated MILSpecification crimp contacts.

PMD hybrid expanded beam system offers high performance, flexibility and cost effectiveness for all critical external applications where electrical power is required in addition to high performance singlemode optical transmission.



Ein Vertriebsprodukt von:

VIDELCO – Professionelle Audio-, Video-, Medien-Technik!

Telefon: 02102 / 86 39-00 • Fax: 02102 / 86 39-17 • info@videlco.eu • www.videlco.eu





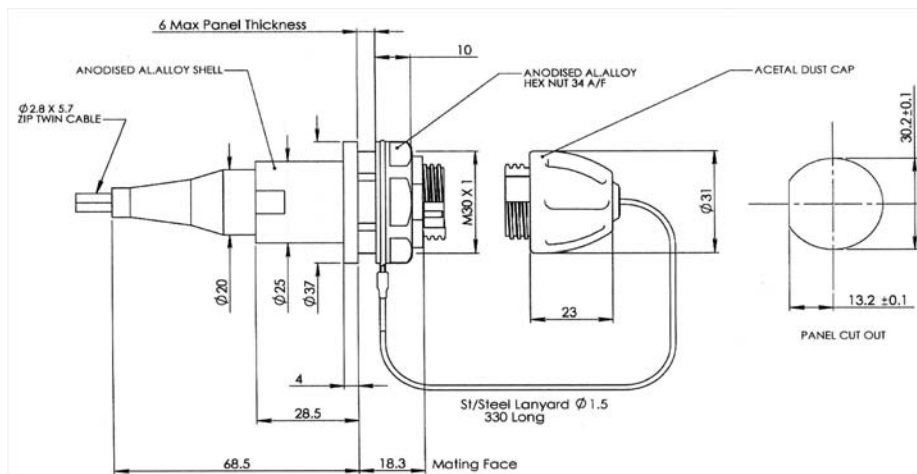
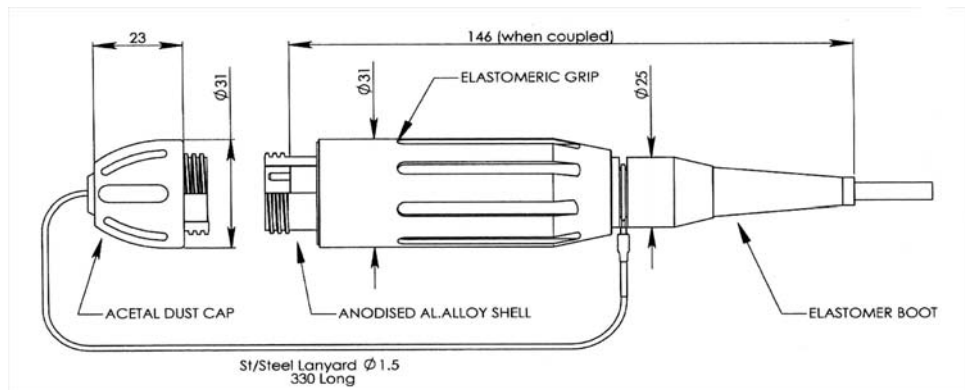
4FO+2EL Hybrid Expanded Beam System Outline Specifications

HYBRID EXPANDED BEAM SYSTEM

Connector Performance:

All tests compliant with BS EN 186000-1

Optical: Insertion Loss	9/125 Fibre at 1310nm or 1550nm : Maximum -1.5dB
Optical: Return Loss	>-30dB
Electrical: Power Contacts	Size 16 MIL-C-39029. Contact resistance <math><4m\Omega</math>. Operating Voltage 1000VAC / 1500VDC. Operating Current 5A (Short term 15A)
Electrical: Test Voltage	Between contacts & contact / housing: 3000V/50Hz, 1 min EN61984
Durability	2000 Matings minimum
Operating Temperature	-40°C to +85°C
Storage Temperature	-55°C to +85°C
Water Immersion	1m
Free Fall Resistance	500 Falls from 1.2m height
Crush Resistance	3000N
Corrosion Resistance	500 Hours salt spray
Cable Retention	1500N Minimum, Cable Dependant



Ein Vertriebsprodukt von:

VIDELCO – Professionelle Audio-, Video-, Medien-Technik!

Telefon: 02102 / 86 39-00 • Fax: 02102 / 86 39-17 • info@videlco.eu • www.videlco.eu





4FO+2EL Hybrid Expanded Beam System Ordering Information



PMD Hybrid Connector Part Codes:

	EBP	4+2	09	C	50
Connector Type					
EBP – Plug					
EBBD – Bulkhead D-Hole Mount					
EBBS – Bulkhead Square Flange Mount					
Number of Channels					
4x Singlemode Optical					
2x Electrical Power Contacts					
Fibre Type					
50 – 50/125					
62 – 62.5/125					
09 – 9/125					
Wavelength of Operation					
A – 850 / 1300nm					
B – 1310 / 1550nm					
C – 1310nm Only					
D – 1550nm Only					
Cable Diameter (mm)					
50 – 5.0mm (+/- 0.30)					
55 – 5.5mm (+/- 0.30)					
65 – 6.5mm (+/- 0.30)					
75 – 7.5mm (+/- 0.35)					
SZ – Standard Zipcord (2x2.8)					
MZ – Mini Zipcord (2x1.8)					

Note:

For Nickel Aluminium Bronze connector shells add NAB after the part code.

Spares / Replacement Parts

PMD Termination Tool Kit: EBCTK01

PMD Fibre Optic Termination Ferrule: EBFER01

Size 16 Electrical Pin: HEP16

Size 16 Electrical Socket: HES16

PMD Hybrid Plug Connector Strain Relief Kits

HCEK50: for 5.0mm cable

HCEK55: for 5.5mm cable

HCEK65: for 6.5mm cable

HCEK75: for 7.5mm cable

Contact our sales department for compatibility with other hybrid cables.



Ein Vertriebsprodukt von:

VIDELCO – Professionelle Audio-, Video-, Medien-Technik!

Telefon: 02102 / 86 39-00 • Fax: 02102 / 86 39-17 • info@videlco.eu • www.videlco.eu



HYBRID EXPANDED BEAM SYSTEM