



DVI-BEAM

FIBER OPTIC TRANSPORT

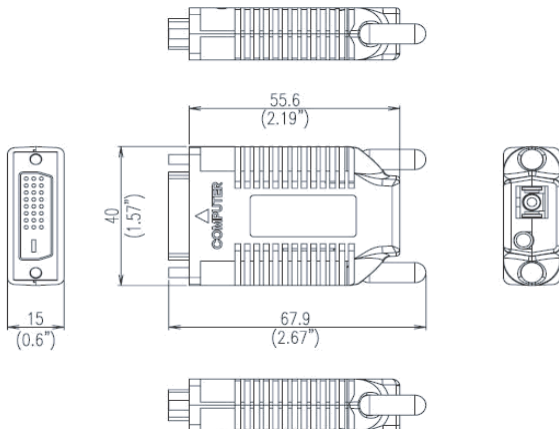
WUXGA, DVI Over ONE Fiber Up to 1,000 Meters (3,300feet)



SUMMARY

- High Speed and long distance transmission by SC type Multi-mode 1(one) Fiber
- Uses Transition Minimized Differential Signaling (TMDS) methods for maximum signal integrity
- Standard DVI plug and SC fiber connector.
- R,G,B,Clock signal is transmitted by 1(one) multimode optical fiber
- Maximum resolution WUXGA1920 x 1200
- DDC detection function for auto learning EDID Monitor Resolution information.
- Connect TX unit to monitor to learn EDID Resolution Parameters.
- Optional external power supply (Automatic power switch is included.)
- One Power Adapter Included.
- Optical Source: 850nm VCSEL
- O/E Converter: PIN Photo Diode
- Fiber Type: 50/125 SC Multi-mode
- Frequency Bandwidth: 1.65 Gbps (Single Link)
- Resolution & Distance:
 - WUXGA (1920 x 1200) 300m (984ft)
 - UXGA (1600 x 1200) 500m (1,650ft)
 - SXGA (1280 x 1024) 700m (2,300ft)
 - XGA (1024 x 768) up to 1000m (3,300ft)
- Power Consumption: Tx:1.0Watt(max),Rx:1.0Watt(max)
- Operating Temperature Range

MECHANICAL & ORDERING



For Pre-Programmed EDID Monitor Resolution
DVI-BEAM;-#

=

- 0 - No DDC Check
- W - WUXGA
- U - UXGA
- S - SXGA
- X - XGA
- G - SVGA
- A - VGA

2009-04

Ein Vertriebsprodukt von:

VIDELCO – Professionelle Audio-, Video-, Medien-Technik!

Telefon: +49 (0)2102 / 86 39-00 • Fax: +49 (0)2102 / 86 39-17 • info@videlco.eu • www.videlco.eu

