

## DVI-ONE

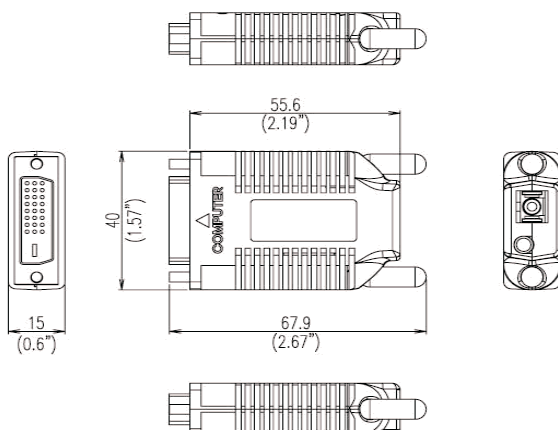
**WUXGA, DVI Over ONE Fiber  
Up to 1,000 Meters (3,300feet)**



### SUMMARY

- High Speed and long distance transmission by SC type Multi-mode 1(one) Fiber
  - Uses Transition Minimized Differential Signaling (TMDS) methods for maximum signal integrity
  - Standard DVI plug and SC fiber connector.
  - R,G,B,Clock signal is transmitted by 1(one) multimode optical fiber
  - Maximum resolution WUXGA1920 x 1200
  - DDC detection function for auto learning EDID Monitor Resolution information.
  - Connect TX unit to monitor to learn EDID Resolution Parameters.
  - Optional external power supply (Automatic power switch is included.)
  - One Power Adapter Included.
- Optical Source: 850nm VCSEL  
O/E Converter: PIN Photo Diode  
Fiber Type: 50 or 62.5/125 SC Multi-mode  
Frequency Bandwidth: 1.65 Gbps (Single Link)  
Resolution & Distance:  
WUXGA resolution (1920 x 1200) 1 Km(3,300ft)  
Power Consumption:  
Tx:1.0Watt(max),Rx:1.0Watt(max)  
Operating Temperature Range

### MECHANICAL & ORDERING



For Pre-Programmed EDID Monitor Resolution  
DVI-ONE-#

# =

- 0 - No DDC Check
- W - WUXGA
- U - UXGA
- S - SXGA
- X - XGA
- G - SVGA
- A - VGA