



## S2-106AD Specifications

### Stereo Audio Inputs/Outputs

Inputs – Balanced/Unbal	5x via Terminals (Note 1)
Inputs – Unbalanced	5x via 2x RCA (R&L) (Note 1)
PC Input – Unbalanced	1x via 3.5mm Mini-Stereo
Output - Balanced/Unbal	1x via Terminals
Output - Unbalanced	1x via 2x RCA (R&L)
Headphone Output	1x via 3.5mm Mini-Stereo

### Audio Characteristics

Frequency Response	100KHz +/- 3dB
Sampling Rates	32, 44.1, 48 & 96 kHz
Audio Delay (Channel 1)	Up to 999ms (Note 2)
Level and Balance	MUTE, -15dB to +15dB
Input/Output Type	Line Level – all I/O

### Control

Standalone Operation	Push Button, IR, RS-232
From C2 Series Device	via D-15 OPTION Connector

### Mechanical

Size (H-W-D)	41.5x218x150mm(1.63"x8.6"x5.9")
Weight (Net)	1.18kg (2.60 lbs)

### Warranty

Limited Warranty	2 Years Parts and Labor
------------------	-------------------------

### Environmental

Operating Temperature	0° to +50° C (+32° to +122° F)
Operating Humidity	10% to 85%, Non-condensing
Storage Temperature	-10° to +70° C (+14° to +158° F)
Storage Humidity	10% to 85%, Non-condensing

### Power Requirement

All Models	12VDC@1A (Note 3)
------------	-------------------

### Regulatory Approvals

Expansion Units	FCC, CE, RoHS
Power Supplies	UL, CUL, CE, PSE, GS, RoHS

### Product Item Numbers

S2-106AD Switcher	6x1 Stereo Audio w/Delay
-------------------	--------------------------

### Accessories Included

1x Operations Manual	S2 Series
1x Power Adapter	US, UK or Euro
1x OPTION Interconnect	D-15M to D-15M & D-15F Cable

### Optional Accessories

RM-220	Single/Dual Rackmount Kit
IRC-5	Infrared Remote Control

### Notes

(1) Available differential audio inputs total a maximum of 5x when using the Terminals or RCA connectors plus one additional input via the 3.5mm Mini-Stereo jack.

(2) Audio delay amount available depends on the sampling frequency. (999ms @ 32kHz sampling)

(3) The C2-2000 series supplies enough power via the Options Connector for one 5-Input S2 unit. Additional S2 units may be powered with separate power adapters which are included.

## S2-101AA Specifications

### Stereo Audio Inputs Connectors

Unbalanced	1x via 2x RCA (R/L) Connectors
Differential (Bal./Unbal.)	1x via Terminals
PC Audio	1x via 3.5mm Mini-Stereo Jack

### Input Characteristics

Nominal Input Level	353mVrms/Unbal, 1.77Vrms/Bal
Input Sensitivity	848mVrms (-1.43dBV), Bal., 84mVrms (-19.4dBu), Unbal.
Input Impedance	27K $\Omega$ UnBal., 24K $\Omega$ Bal.

### Output Connectors

Terminal (Speaker)	2x Pair, Spring Loaded
--------------------	------------------------

### Output Characteristics

Maximum Power Output	10WRMS/4 $\Omega$ load-Per Channel
----------------------	------------------------------------

### Amplifier Characteristics

Operation Class	Optimized Class D
Freq Response	20Hz-24kHz (-3dB)
THD+N	0.07%@1kHz, 1W
S/N Ratio	>-71dB@1kHz, Unweighted
Crosstalk	>-63dB@1kHz to 20kHz

### Mechanical

Size (H-W-D)	41.5x218x150mm(1.63"x8.6"x5.9")
Weight (Net)	1.10kg (2.42 lbs)

### Warranty

Limited Warranty	2 Years, Parts and Labor
------------------	--------------------------

### Environmental

Operating Temperature	0° to +50° C (+32° to +122° F)
Operating Humidity	10% to 85%, Non Condensing
Storage Temperature	-10° to +70° C(+14° to +158° F)
Storage Humidity	10% to 85%, Non Condensing

### Power Requirements

Via Included AC Adaptor	+12VDC@4 Amps1
-------------------------	----------------

### Regulatory Approvals

Amplifier	FCC, CE, RoHS
Power Supply	UL, CUL, CE, PSE, GS, RoHS

### Product Item Number

S2-101AA	Audio Power Amplifier
----------	-----------------------

### Accessories Included

Operations Manual	S2 Series Product Operations
1x Power Adapter	US, UK or Euro

### Optional Accessories

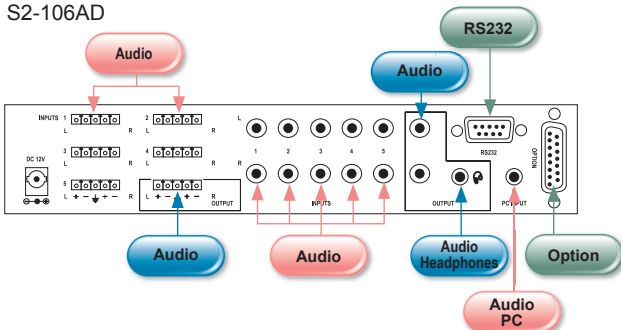
RM-220	Single/Dual Rack Mount Kit
IRC-5	Infrared Remote Control

### Note

(1) The S2-101AA CANNOT be powered via the option cable from a C2 series product. The C2 product's Option connector cannot supply the required 4 Amps of power.



S2-106AD



S2-101AA

